

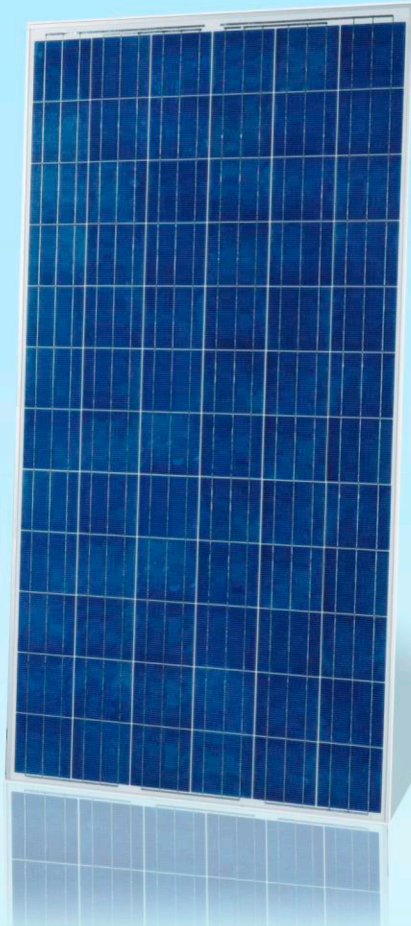
MGS-300P6

MGS-310P6

MGS-320P6

MGS-330P6

MGS-335P6



Quality and Safety

- ★Rigorous quality control meeting the highest international standards
- ★High-transmissivity low-iron tempered glass, strong aluminium frame Using UV-resistant silicon
- ★ISO 9001:2008 、 ISO 14001:2004 and OHSAS18001
- ★IEC61215,IEC61730,Safety Class II,conformity to CE

Features

- ★Aesthetic appearance with excellent efficiency based on innovative photovoltaic technologies
- ★High quality,strong aluminium frame,passing mechanical load testing 5400 Pa and wind pressure 2400Pa

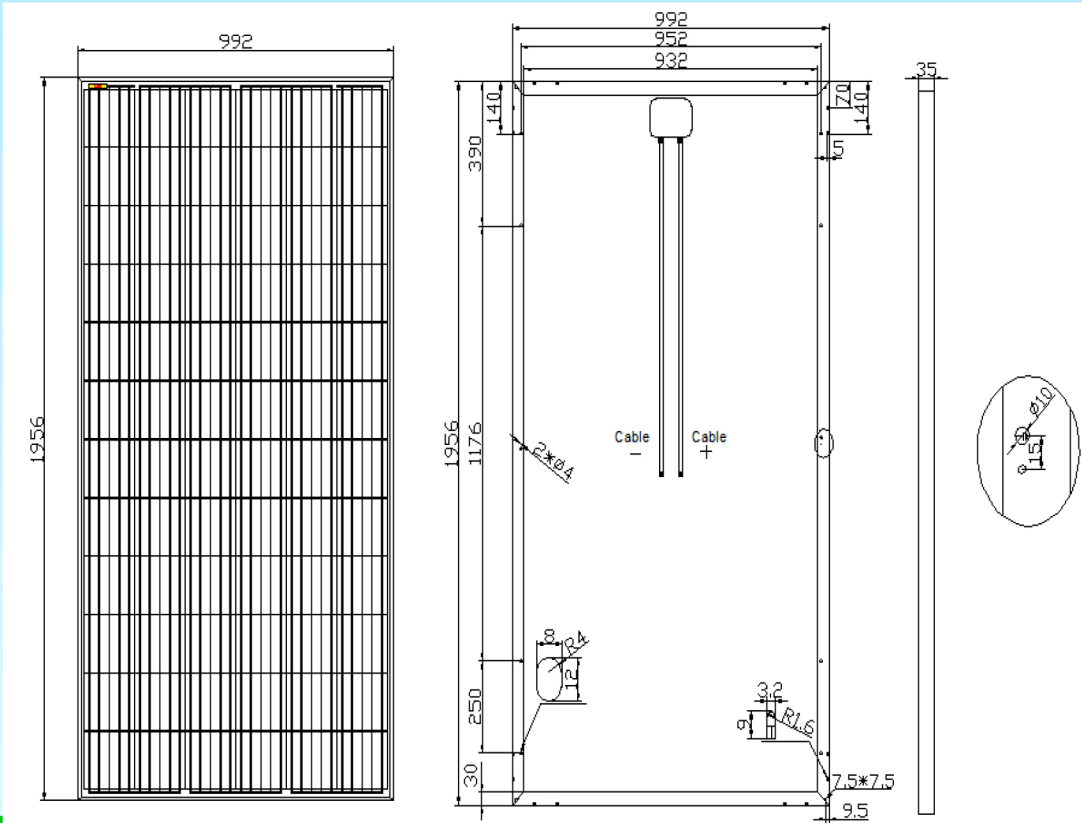
Warranties

- ★10 years limited product warranty
- ★10 years at 90% of the minimal rated power output
- ★25 years at 80% of the minimal rated power output

Electrical Characteristics

Model	MGS-300P6	MGS-310P6	MGS-320P6	MGS-330P6	MGS-335P6
Maximum Power at STC (Pmax)	300W	310W	320W	330W	335W
Optimum Operating Voltage (Vmp)	37.23V	37.32V	37.62V	38.48V	38.67V
Optimum Operating Current (Imp)	8.06A	8.31A	8.51A	8.58A	8.66A
Open-Circuit Voltage (Voc)	44.71V	44.76V	44.84V	45.49V	45.66V
Short-Circuit Current (Isc)	8.95A	9.23A	9.52A	9.18A	9.27A
Solar Cell Efficiency (%)	17.46	18.05	18.63	19.21	19.50
Solar Module Efficiency (%)	15.46	15.98	16.49	17.01	17.26
Operating Temperature	-40to85°C				
Maximum System Voltage	DC1000				
Maximum Series Fuse Rating	15A				
Power Tolerance	+/-3%				
STC:Irradiance 1000W/m ² ,Modules Temperature 25°C,AM=1.5					

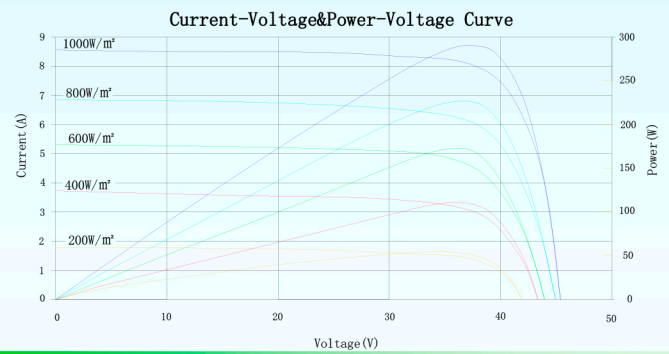
Engineering Drawings



Mechanical Characteristics

Solar cell	Poly-Crystalline 156*156mm
No. of cells	72(6×12)
Dimensions	1956mm*992mm*35mm
Weight	24kg
Front glass	3.2mm tempered glass
Frame	Anodized aluminium alloy
Junction box	PV-*****
Connector	Plug and socket
Output cables	PV 4.0mm ² , 0.9m
Loading	Card Box Pallet
1*20'	324pcs
1*40'HQ	720pcs

IV-Curves



Temperature Coefficient

Nominal Operating Cell Temperature (NOCT)	47°C +/- 2°C
Temperature Coefficient of Pmax	-0.4060%/°C
Temperature Coefficient of VOC	-0.3083%/°C
Temperature Coefficient of ISC	+0.0574%/°C